

AWH Butterfly Valves and Actuators

AWH Butterfly valves for shutting-off liquid flow have a reputation for excellence in the pharmaceutical, food, dairy and beverage industries. AWH Butterfly valves are reliable, compact and easy to maintain with long operational life cycle.

The self-aligning interior design for easy fluid flow, minimizes corrosion combinations and turbulences, This ensures the highest hygienic standards.

V-MOVE Pneumatic Actuator

AWH offers a wide variety of Stainless-Steel pneumatic actuators for butterfly valves. Robust, compact, highly reliable and with an ideal torque curve for any application, including high process temperatures.

Actuators are supplied with unique position indicator, which can be used for visual indication or remote position indication.

Multiple control head options are available.

Features and Benefits

- ✓ Flexible - Same model with multiple control options
- ✓ Improved safety due to the plastic cover of the position indicator
- ✓ Direct drive - Direct connection between the valve and the actuator
- ✓ Higher efficiency is achieved with the minimum air leakage
- ✓ Stainless steel brackets - adjustable installation for various valve types
- ✓ Visual indicator
- ✓ Inductive Sensor and Mechanical Limit Switch
- ✓ V-MON® Control Head, Multiple control head options are available

Technical Information

Operating modules

- ✓ 1" - 4" Butterfly Valves
- ✓ DN25-DN100 Butterfly Valves

Operating Pressure

- ✓ 5-10 Bar / 72.5-145 Psi

Control head

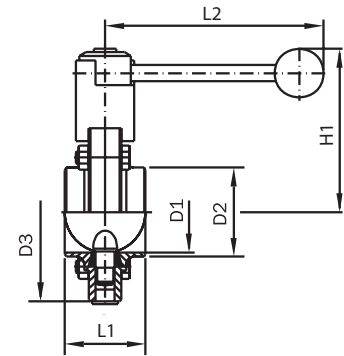
- ✓ 24V DC or ASI control head





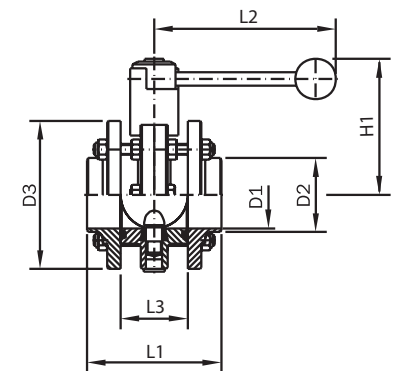
BUTTERFLY VALVE WELD/WELD DIN

DN DIN	Dimensions						Weight [kg]
	L1	L2	M1	D1	D2	D3	
10	40	105	79	10	13	58	0.6
15	40	105	79	16	19	58	0.6
20	40	105	79	20	23	58	0.6
25	40	107	90	26	29	87	1.3
32	42	107	92	32	35	92	1.4
40	50	137	94	38	41	97	1.5
50	50	137	101	50	53	110	1.8
65	50	137	110	66	70	127	2.2
80	60	167	123	81	85	142	4.0
100	64	167	134	100	104	162	4.8
125	112	248	168	125	129	200	8.1
150	124	248	183	150	154	230	10.3



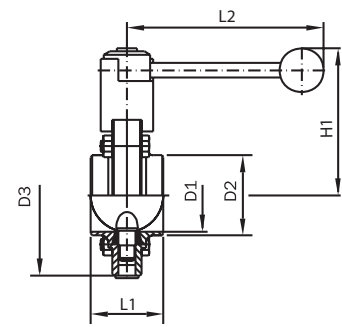
INTERMEDIATE FLANGE BUTTERFLY VALVE DIN

DN DIN	Dimensions						Weight [kg]	
	L1	L3	L2	M1	D1	D2		D3
10	80	40	105	79	10	13	58	0.6
15	80	40	105	79	16	19	58	0.6
20	80	40	105	79	20	23	58	0.6
25	90	50	107	90	26	31	87	2.4
32	90	50	107	92	32	37	92	2.6
40	100	50	137	94	38	43	97	2.8
50	100	50	137	101	50	55	110	3.4
65	100	50	137	110	66	70	127	4.1
80	136	76	167	123	81	85	142	7.4
100	136	76	167	134	100	104	162	8.8
125	168	88	248	168	125	129	200	15.1
150	168	88	248	183	150	154	230	18.4
200	112	56	276	220	200	204	274	26.2



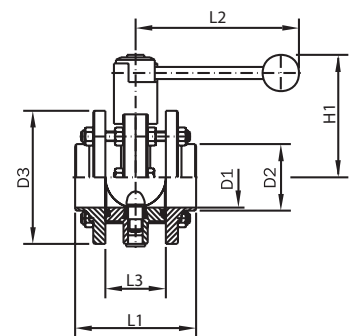
BUTTERFLY VALVE WELD/WELD INCH (SERIES B)

DN Inch	Dimensions						Weight [kg]
	L1	L2	M1	D1	D2	D3	
1"	38	107.5	90.5	22.1	25.4	87	1.3
1 1/2"	48	137.5	94.5	34.8	38.1	97	1.5
2"	48	137.5	101	47.5	50.8	110	1.8
2 1/2"	47	137.5	110	60.2	63.5	127	2.2
3"	60	167	123	72.1	76.1	142	4.2
4"	64	167	136	97.38	101.6	162	4.8
5"	112	217	161	122.8	127	200	7.8
6"	124	217	176	148.2	152.4	230	9.8



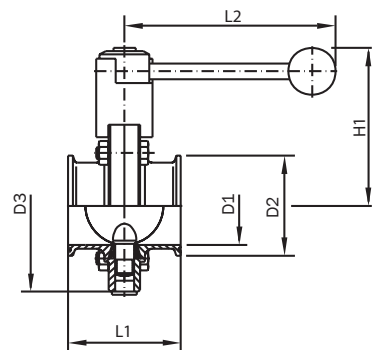
INTERMEDIATE FLANGE BUTTERFLY VALVE INCH (SERIES B)

DN DIN	Dimensions							Weight [kg]
	L1	L2	L3	M1	D1	D2	D3	
1"	90	107.5	50	90.5	22.1	25.4	87	2.4
1 1/2"	100	137.5	50	94.5	34.8	38.1	97	2.8
2"	100	137.5	50	101	47.5	50.8	110	3.4
2 1/2"	100	137.5	50	110	60.2	63.5	127	4.1
3"	136	167	76	123	72.1	78	142	7.2
4"	136	167	76	136	97.38	101.6	162	8.8



BUTTERFLY VALVE CLAMP/CLAMP INCH (SERIES B)

DN DIN	Dimensions						Weight [kg]
	L1	L2	M1	D1	D2	D3	
1"	64	107.5	90.5	22.1	50.5	87	0.6
1 1/2"	72	137.5	94.5	34.8	50.5	97	0.6
2"	72	137.5	101	47.5	64	110	0.6
2 1/2"	76	137.5	110	60.2	77.5	127	2.4
3"	90	167	123	72.1	91	142	2.6
4"	104	167	136	97.38	119	162	26.2



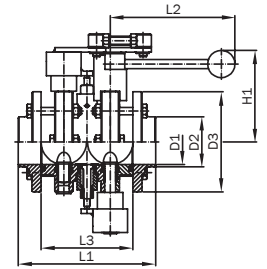
AWH butterfly valves meets all standard approvals and test certificates for the materials used, such as EHEDG, ATEX, APZ 3.1. to DIN EN 10204, FDA and EC regulation 1935/2004. AWH Butterfly Valves monitored with RFID Transponder

Material	AISI 304 / 304L (1.4301 / 1.4307) AISI 316L (1.4404) others on request
Size	DN10 – DN200 1" - 4"
Seal	Silicon / EPDM / FKM / HNBR
Surface	fine turned inside up to Ra < 0,8 µm others on request
Operating pressure	DN10 - DN150 max. 10 bar / 145 psi DN200 max. 6 bar / 87 psi

Leakage Butterfly Valves - Manually and Pneumatic actuated

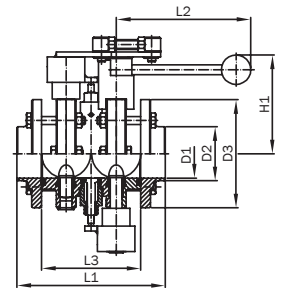
INTERMEDIATE FLANGE BUTTERFLY VALVE DIN

DN DIN	Dimensions							Weight [kg]
	L1	L3	L2	M1	D1	D2	D3	
25	138	98	107	90	26	29	87	4.51
32	138	98	107	92	32	35	92	4.82
40	148	98	137	94	38	41	97	5.11
50	151	101	137	101	50	53	110	6.01
65	167	117	137	110	66	70	127	7.72
80	194	134	167	123	81	85	142	11.20
100	194	134	167	134	100	104	162	13.50



INTERMEDIATE FLANGE LEAKAGE BUTTERFLY VALVE INCH MANUALLY ACTUATED

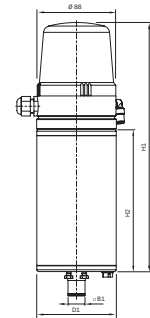
DN DIN	Dimensions							Weight [kg]
	L1	L2	L3	M1	D1	D2	D3	
1"	138	98	107	90	22.2	25.4	87	4.51
1 1/2"	148	98	137	94	34.8	38.1	97	5.11
2"	151	101	137	101	47.6	50.8	110	6.01
2 1/2"	167	117	137	110	60.3	63.5	127	7.72
3"	194	134	167	123	72.9	76.1	142	11.20
4"	194	134	167	134	97.4	101.6	162	13.50



Pneumatic Actuated VMove

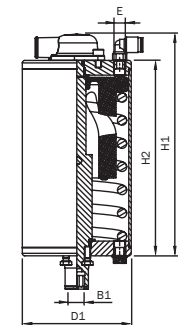
VMOVE® L/F ACTUATOR WITH VMON® CONTROL HEAD

DN DIN	Dimensions				Weight [kg]
	D1	B1	H1	H2	
25 - 100	89	9.5	279.5	159.5	4.02
125 - 200	129	14	337	217	10.31



PNEUMATIC ACTUATOR VMOVE® AIR/SPRING

DN		Dimensions					Design	Weight [kg]
DIN	Inch	D1	E	B1	H1	H2		
10 - 40		70	G 1/8"	9.5	171.5	150	VMove® 0	2.4
25 - 100	1" - 4"	89	G 1/8"	9.5	181	159.50	VMove® 1	3.14
125 - 200	5" - 6"	129	G 1/8"	14	238.5	217	VMove® 2	9.45



PNEUMATIC ACTUATOR VMOVE® AIR/AIR

DN		Dimensions					Design	Weight [kg]
DIN	Inch	D1	E	B1	H1	H2		
25 - 100	1" - 4"	89	G 1/8"	9.5	181	159.50	VMove® 1	2.22
125 - 200	5" - 6"	129	G 1/8"	14	238.5	217	VMove® 2	7.5

